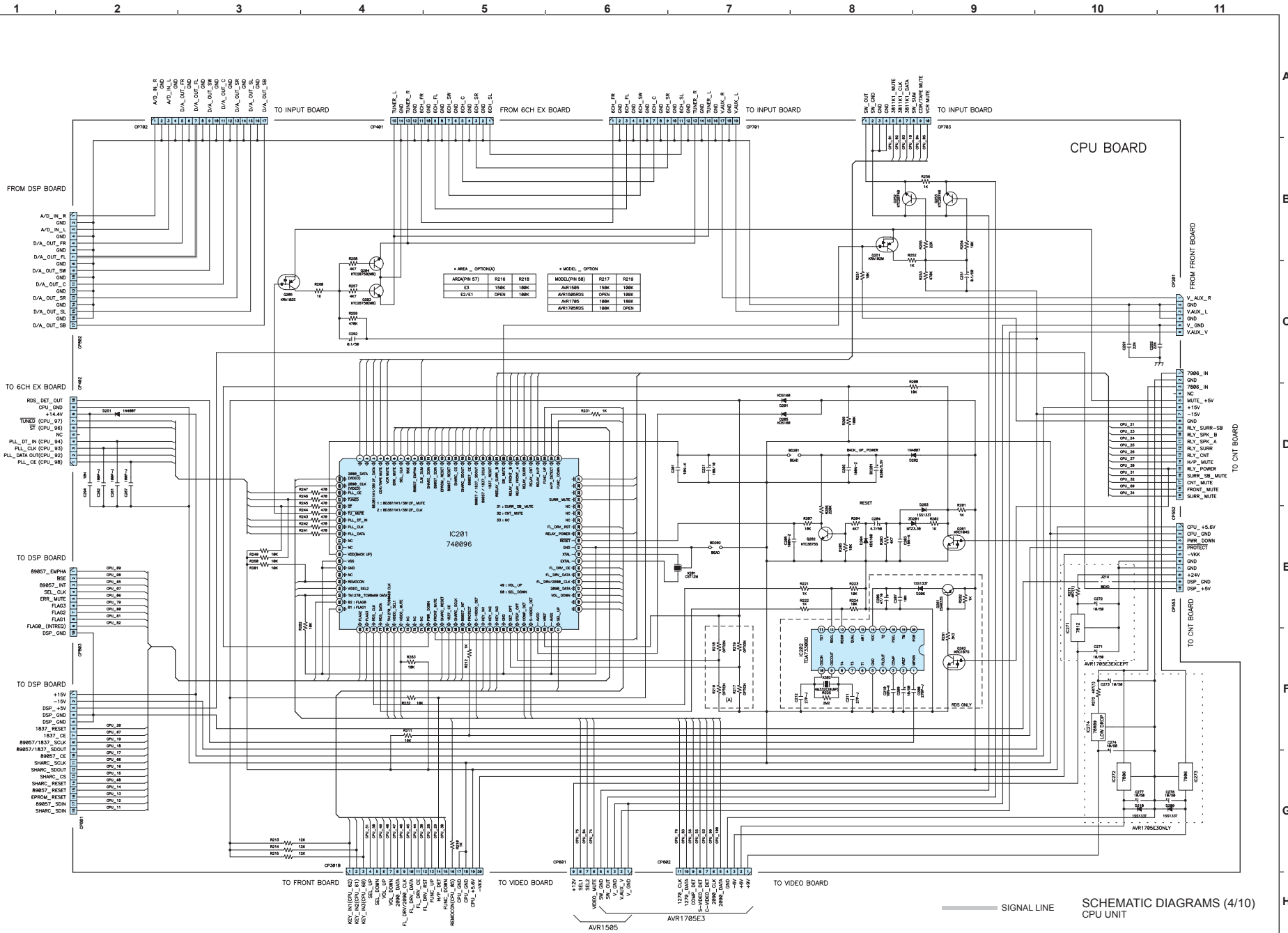


SCHMATIC DIAGRAMS (3/10)
DSP UNIT (2/2)

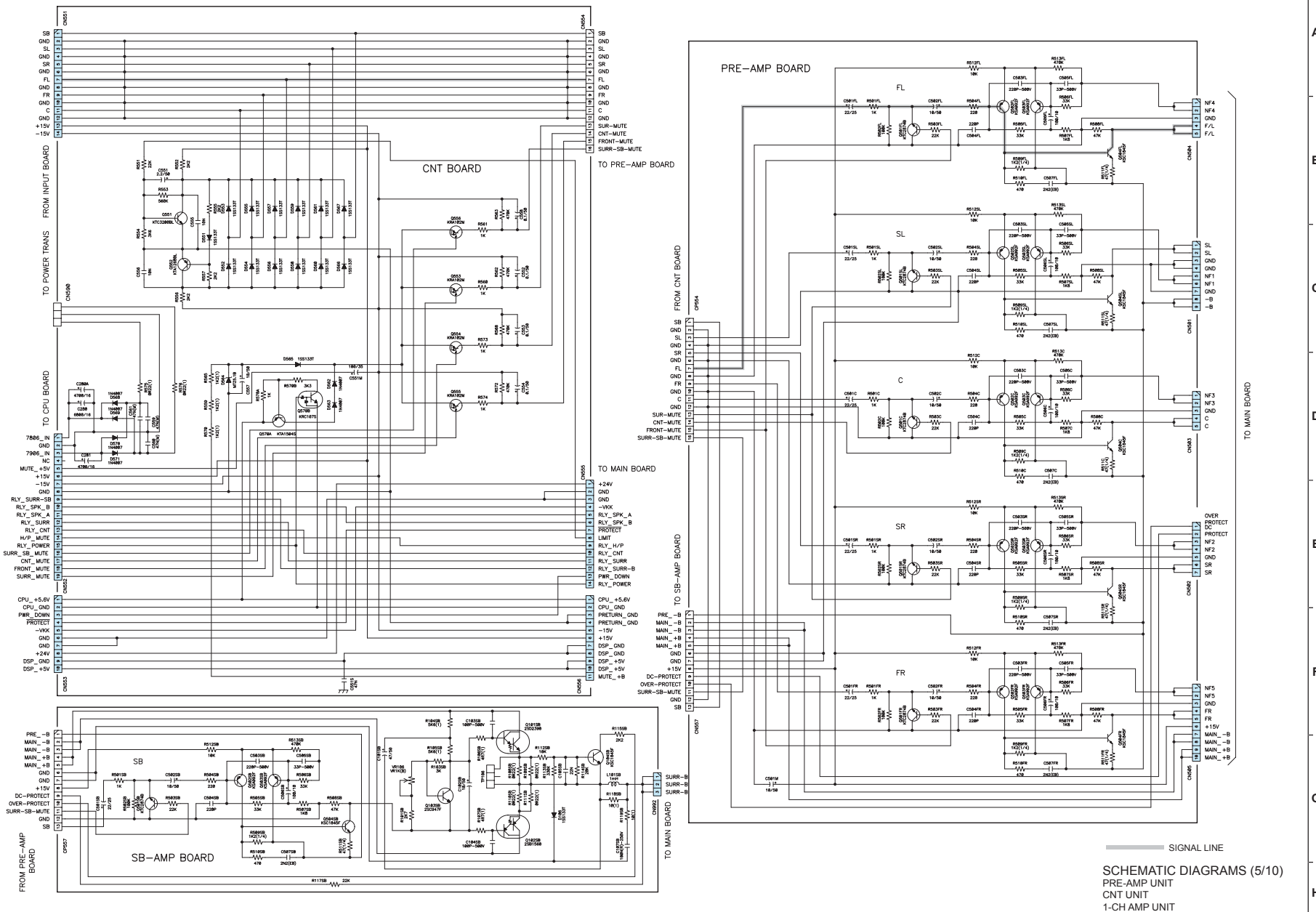
SCHEMATIC DIAGRAMS (4/10)



SCHEMATIC DIAGRAMS (4/10)
CPU UNIT

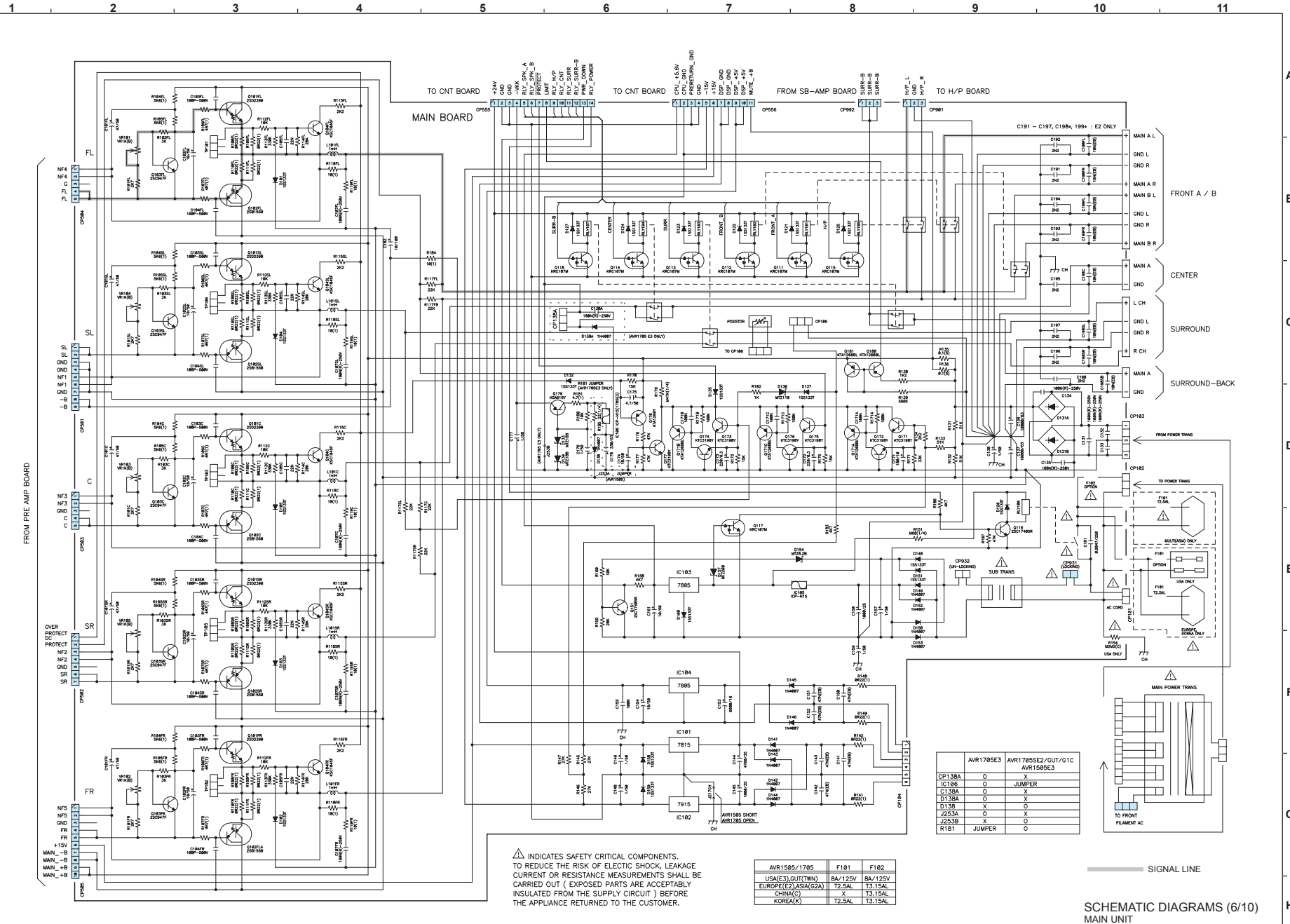
SCHMATIC DIAGRAMS (5/10)

1 2 3 4 5 6 7 8 9 10 11

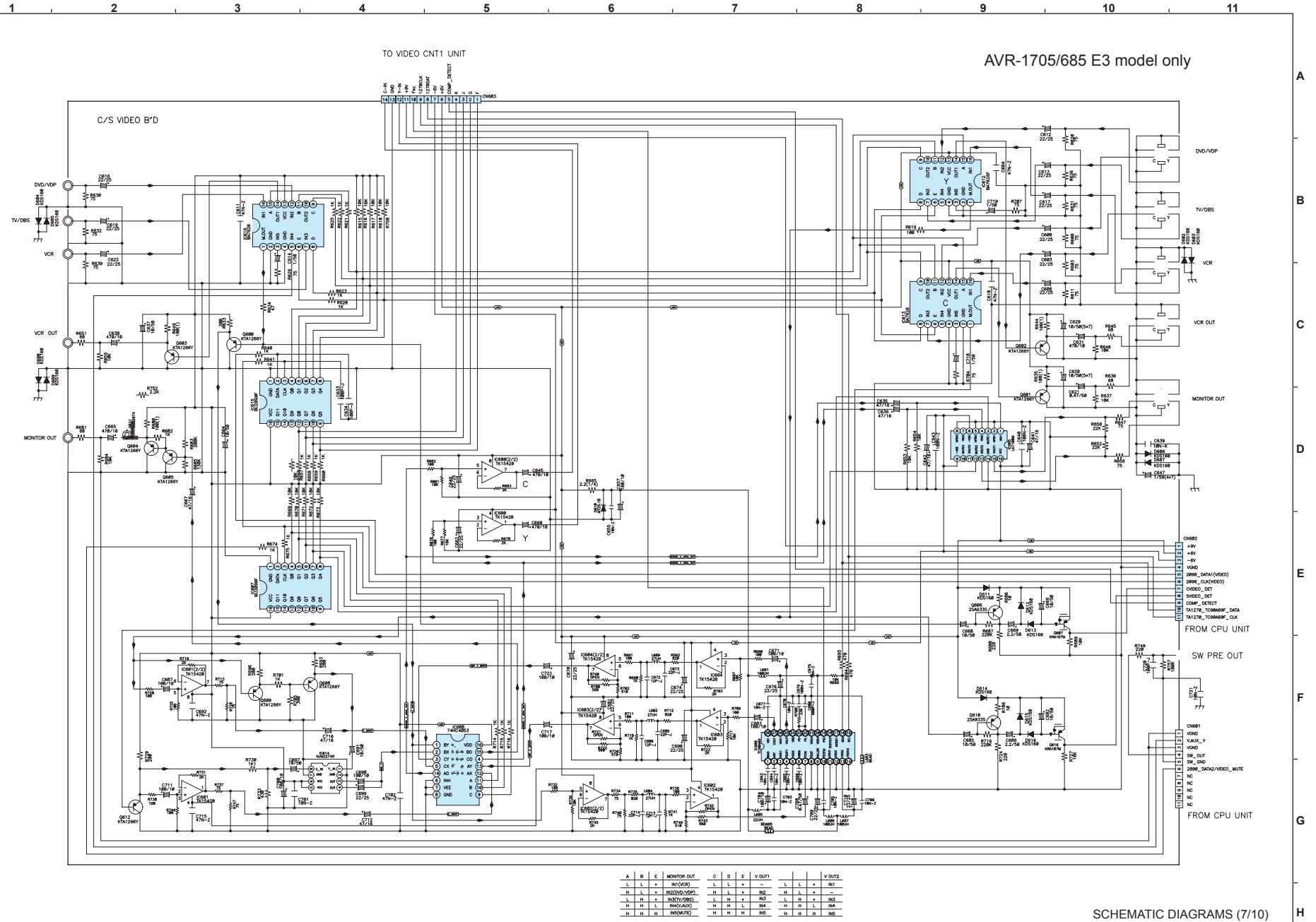


SCHMATIC DIAGRAMS (5/10)
PRE-AMP UNIT
CNT UNIT
1-CH AMP UNIT

SCHMATIC DIAGRAMS (6/10)



SCHMATIC DIAGRAMS (6/10)
MAIN UNIT



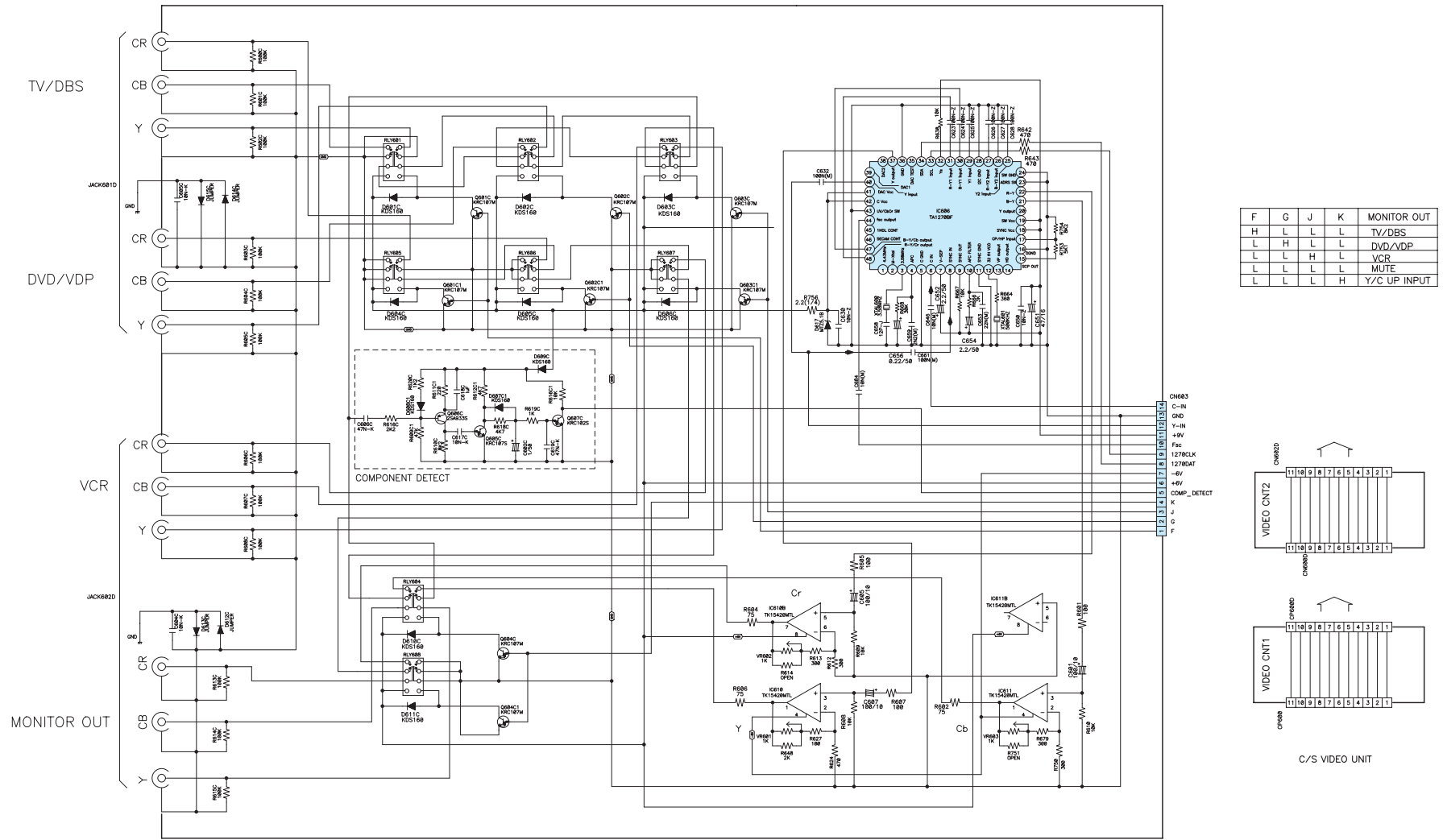
AVR-1705/685 E3 model only

| A | B | E | MONITOR OUT | C | D | E | V OUT1 | L | L | L | V OUT2 |
|---|---|---|-------------|---|---|---|--------|---|---|---|--------|
| L | L | L | INT(DVD) | L | L | L | INT | L | L | L | INT |
| L | L | L | INT(OBS) | L | L | L | INT | L | L | L | INT |
| L | L | L | INT(VCR) | L | L | L | INT | L | L | L | INT |
| H | H | H | INT(MUTE) | H | H | H | INT | H | H | H | INT |

SCHMATIC DIAGRAMS (7/10)
C-S VIDEO 2 UNIT

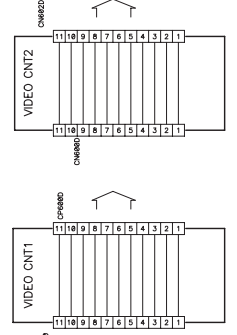
1 2 3 4 5 6 7 8 9 10 11

AVR-1705/685 E3 model only



| F | G | J | K | MONITOR OUT |
|---|---|---|---|--------------|
| H | L | L | L | TV/DBS |
| L | H | L | L | DVD/VDP |
| L | L | H | L | VCR |
| L | L | L | L | MUTE |
| L | L | L | H | Y/C UP INPUT |

- CH683
- C-IN
- GND
- V-IN
- +9V
- Fac
- 127RCLK
- 127RDATA
- +6V
- COMP_DETECT
- J
- K
- G
- F



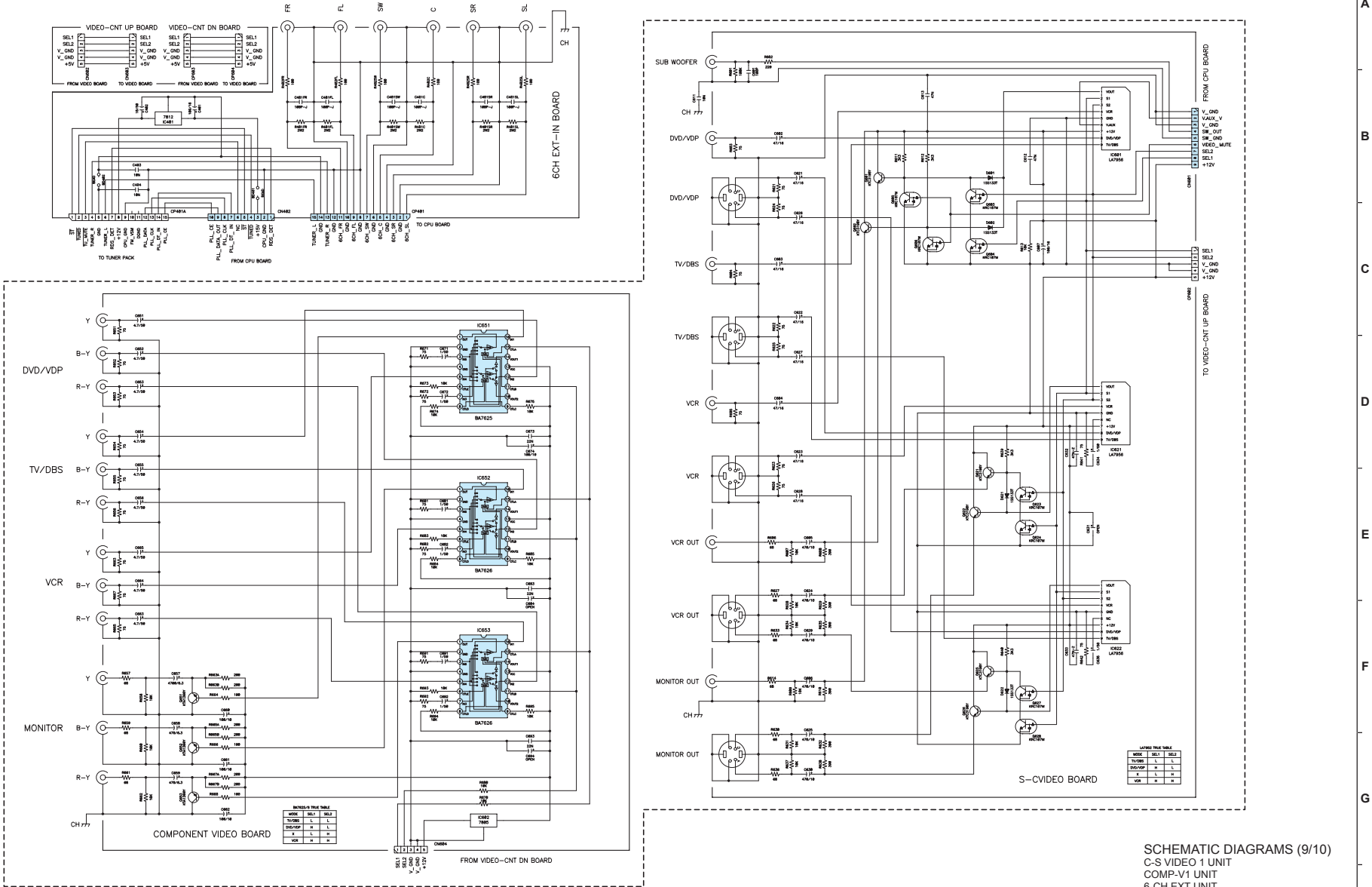
C/S VIDEO UNIT

SCHMATIC DIAGRAMS (8/10)
 COMP-V2 UNIT
 V-CNT UP 2 UNIT
 V CNT DOWN 2 UNIT

SCHMATIC DIAGRAMS (9/10)

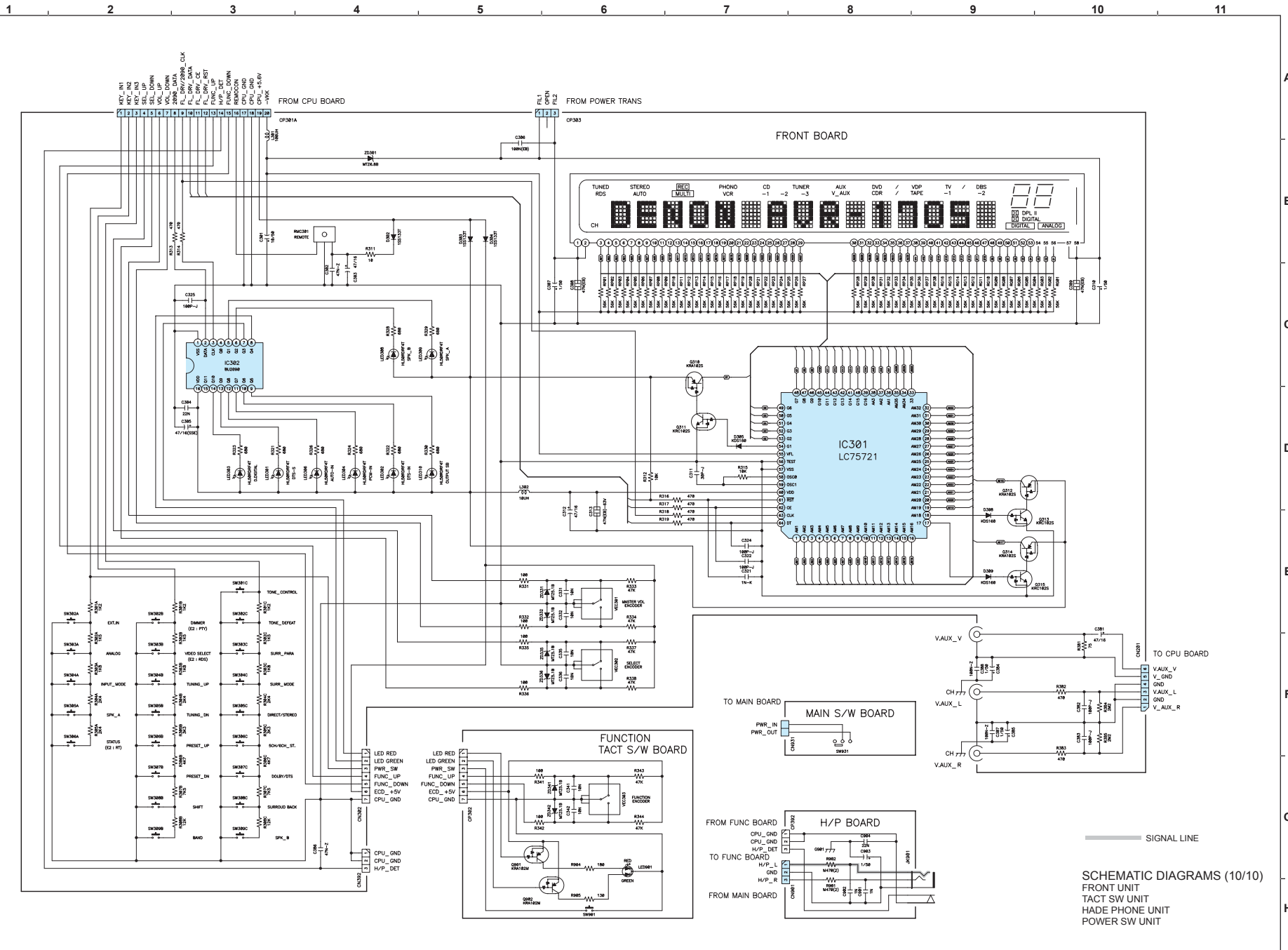
1 2 3 4 5 6 7 8 9 10 11

AVR-1705E2, E1C, EUT, AVR-1505/484E3 model only



SCHMATIC DIAGRAMS (9/10)
C-S VIDEO 1 UNIT
COMP-V1 UNIT
6-CH EXT UNIT
V-CNT UP 1 UNIT
V-CNT DOWN 1 UNIT

SCHEMATIC DIAGRAMS (10/10)



SCHEMATIC DIAGRAMS (10/10)
FRONT UNIT
TACT SW UNIT
HADE PHONE UNIT
POWER SW UNIT